

# Electric pump

## EL20SS

### PUMP SPECIFICATIONS

Max Capacity [m <sup>3</sup> /h]	160
Max Head [m]	27
Impeller diameter [mm]/type	325 /3 blades opened
Flanged bore size [DN/PN]	DN100/PN10
Solid handling [mm]	25
Weight [kg]	310

### ELECTRIC MOTOR

Power [kW - HP]	22-30
Voltage [V]/Current [A]	230-400 / 70-42
Phases/Poles/Frequency [Hz]	3 / 4 / 50
Speed [RPM]	1450
Insulation class	H
Power cable 20 m (IEC 60245-4)	H07RN-F 4G10

### MATERIALS

Casing	Spheroidal cast iron EN-GJS500-7 (EN1563)
Motor housing	Spheroidal cast iron EN-GJS500-7 (EN1563)
Wear parts	High chrome EN-GJN-HV600 (XCr18) (EN12513)
Main shaft	High tensile steel 39NiCrMo3 (AISI 9840)

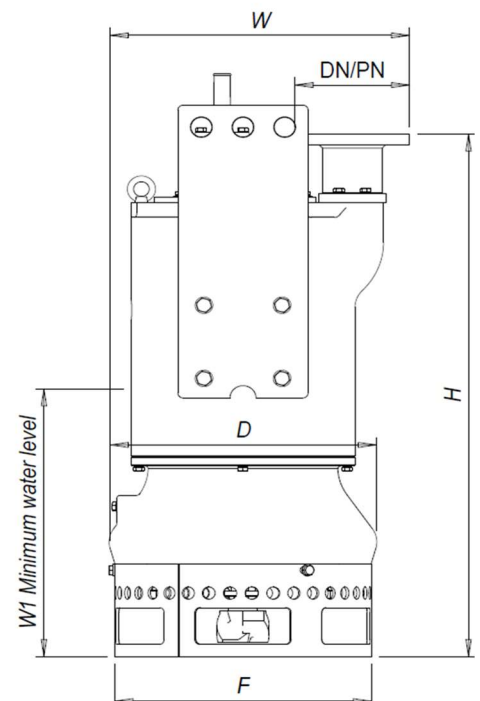
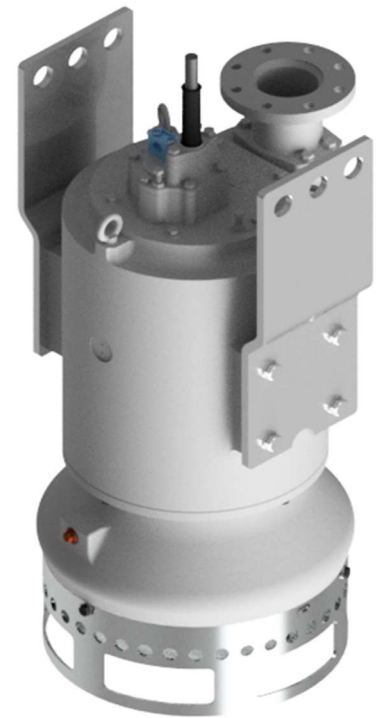
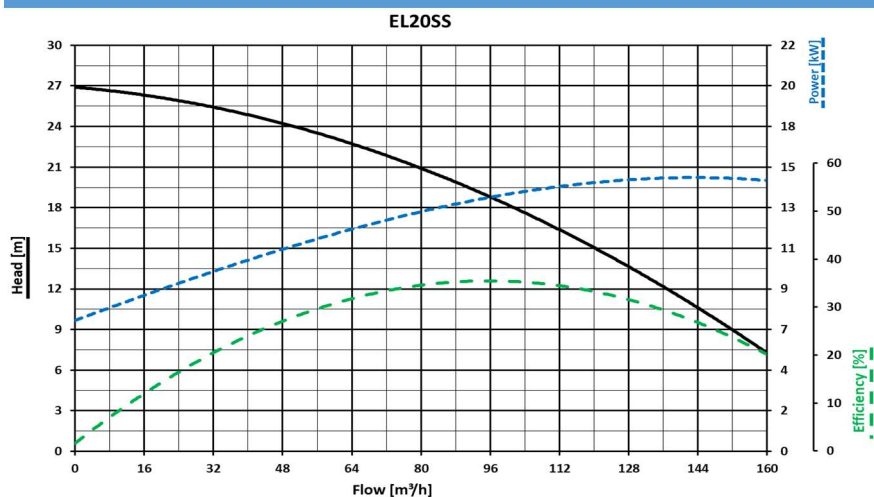
### SEALS / LUBRICANT

Motor side seals	1 mechanical seal (silicon carbide in oil bath)
Impeller side seals	1 mechanical seal (silicon carbide in oil bath) + 4 lip seals (2 BUNA + 2 TPU)
Oil type	ISO 32

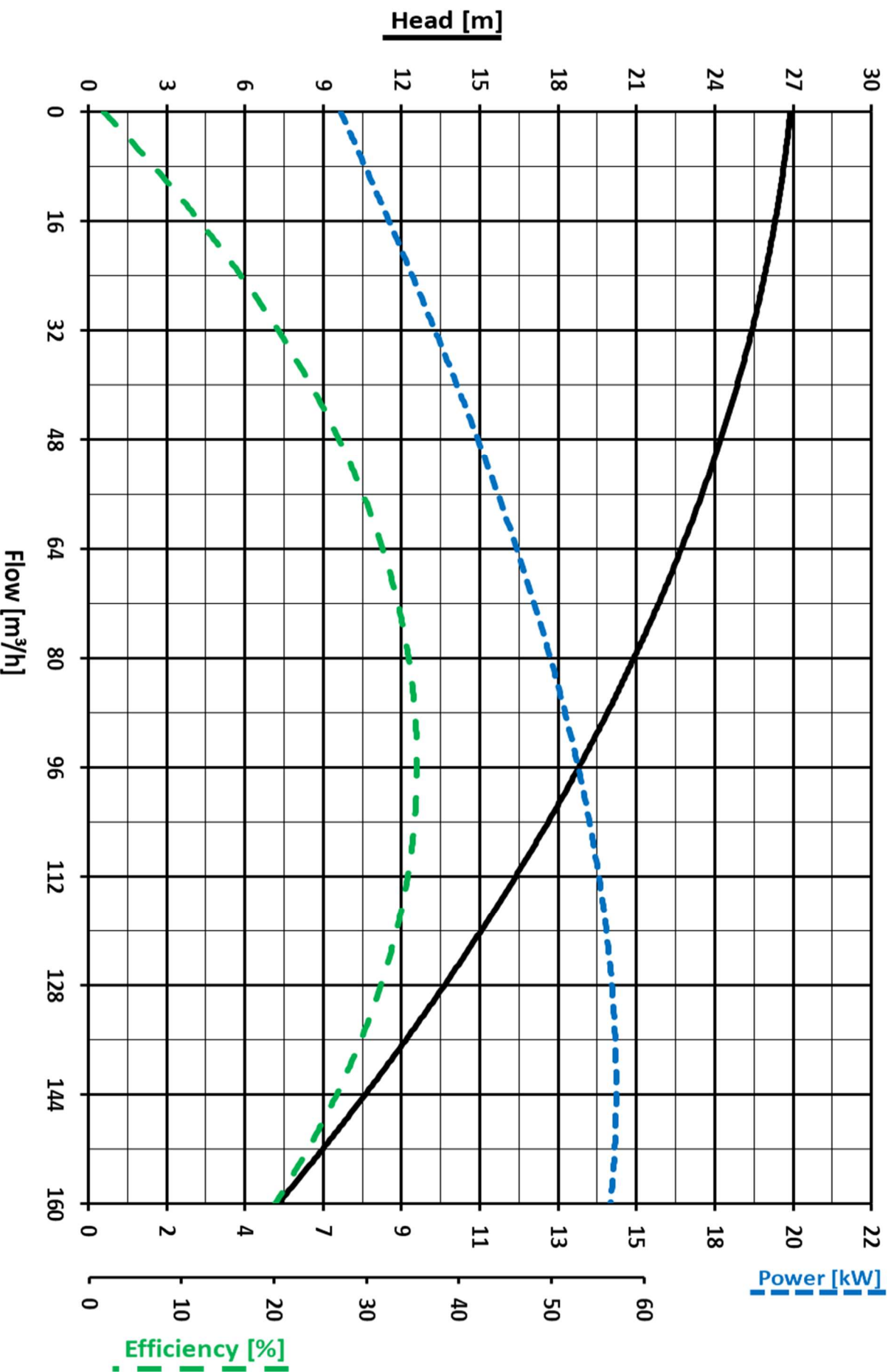
### DIMENSIONS [mm]

H	W	D	F	H1	PG
1070	575	510	490	550	100

### PERFORMANCE CURVES



# EL20SS



We reserve the right to make changes without notice