

Hydraulic pump

HY400HC

PUMP SPECIFICATIONS

Max Capacity [m ³ /h]	4000
Max Head [m]	46
Impeller diameter [mm]/type	800 / 2 blades closed
Flanged bore size [DN/PN]	DN450/PN10
Solid handling [mm]	120
Weight [kg]	4500

HYDRAULIC MOTOR

Motor displacement [cc]	710
Max. oil flow rate[l/min]	600
Max. pressure [bar]	300
Power [kW-HP]	300 - 400
Speed [RPM]	850

MATERIALS

Casing	Spheroidal cast iron EN-GJS500-7 (EN1563)
Motor housing	Cast iron EN-GJL-250 (EN 1561)
Wear parts	High chrome EN-GJN-HV600 (XCr18) (EN12513)
Main shaft	High tensile steel 39NiCroMo3 (AISI 9840)

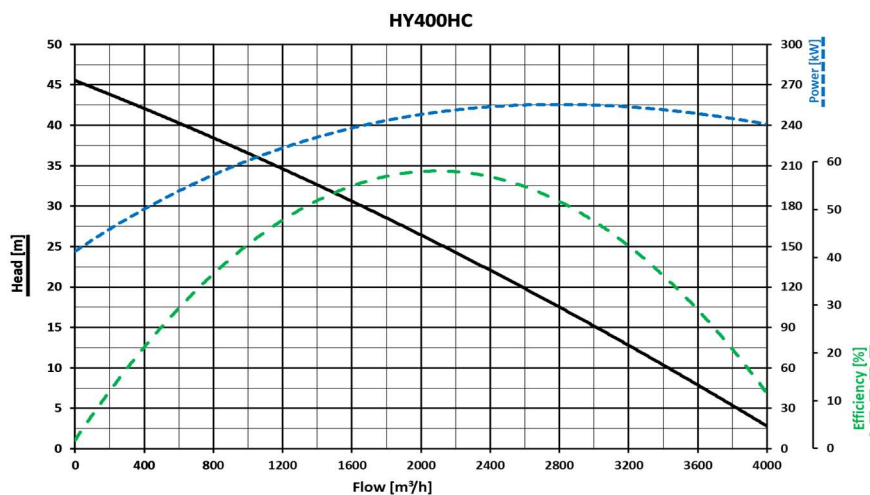
SEALS / LUBRICANT

Motor side seals	3 lip seals (2 BUNA + 1 PTFE)
Impeller side seals	5 lip seals (3 BUNA + 2PTFE) + 1 V-ring (TPU)
Oil type	ISO 32

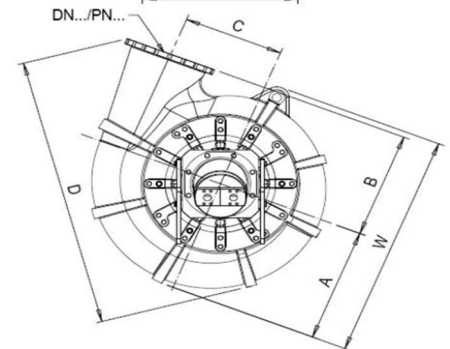
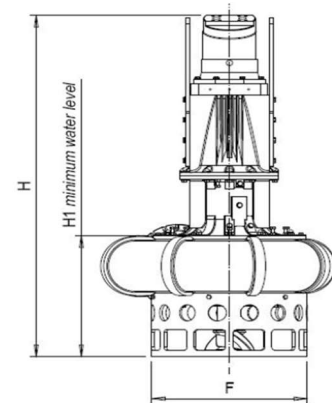
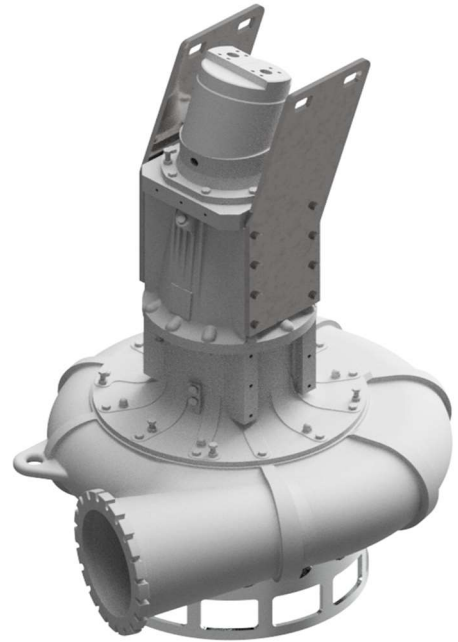
DIMENSIONS [mm]

H	W	D	F	H1	A	B	C
2525	1630	1975	1015	900	825	765	660

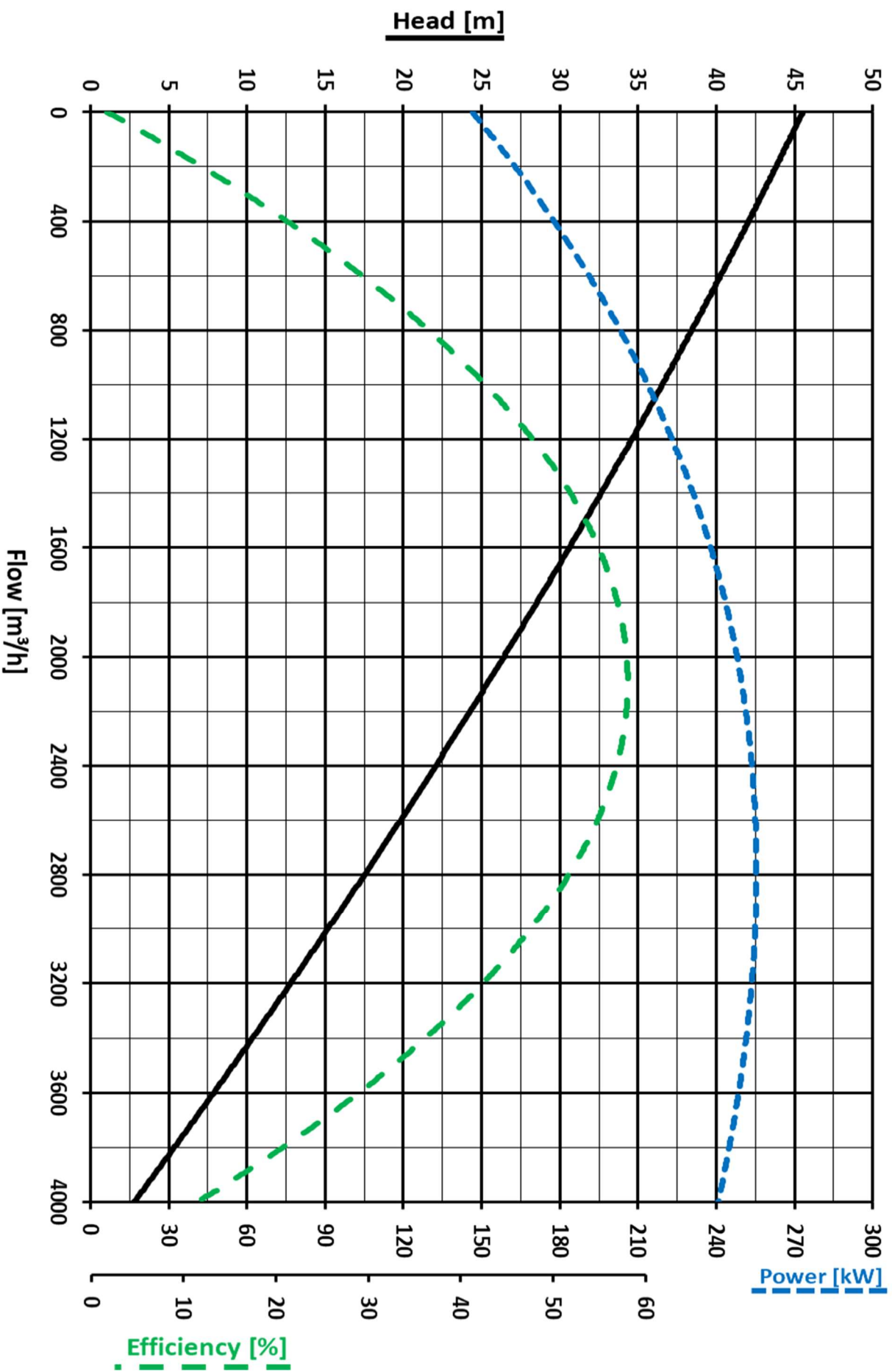
PERFORMANCE CURVES



We reserve the right to make changes without notice



HY400HC



We reserve the right to make changes without notice