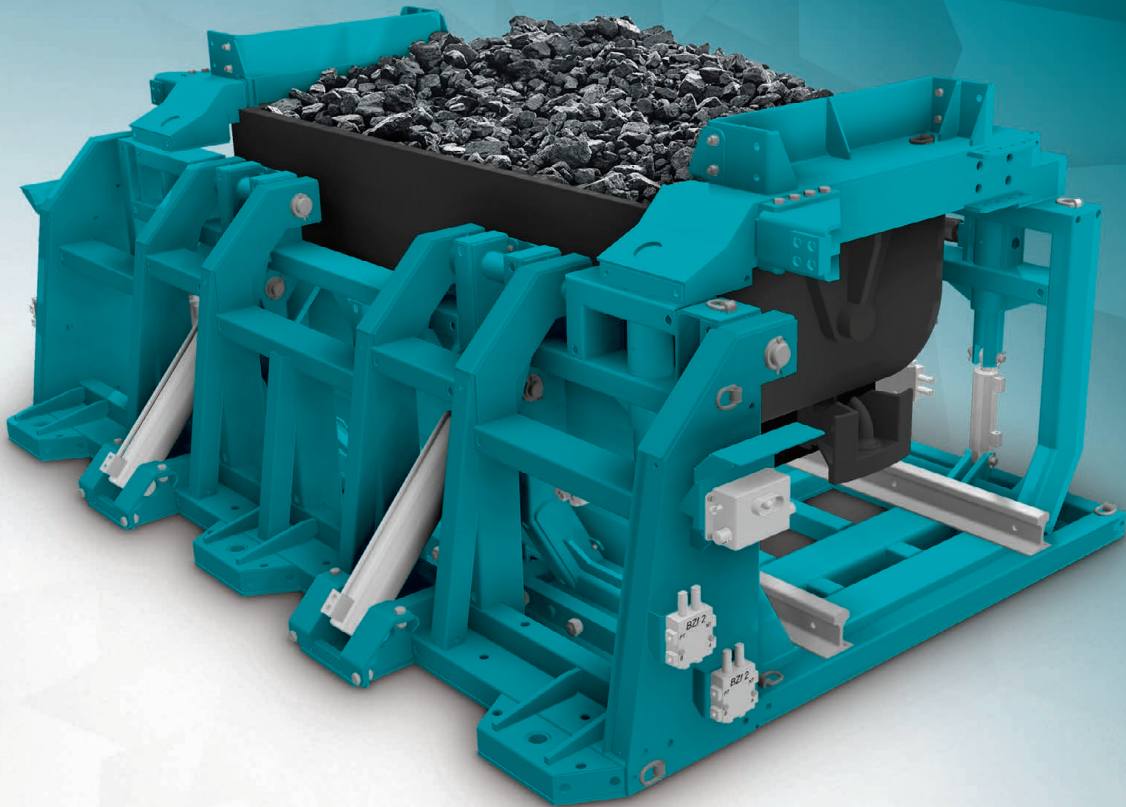




# UWK GIBBON

MINING CONTAINERS DISCHARGE DEVICE



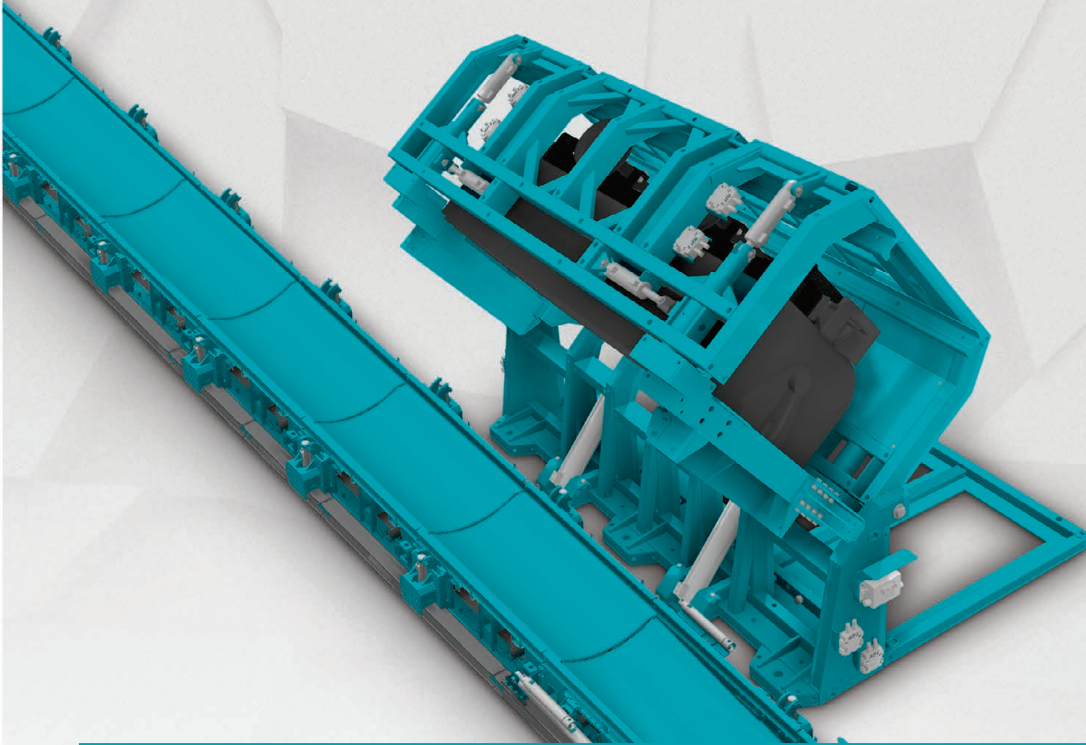
Mining containers discharge device UWK-GIBBON is designed to support mining works referring to discharge of mined materials from containers onto other haulage unit like scraper conveyors, belt conveyors and others. Mining container discharge cycle with support of UWK-GIBBON device is being performed through rotation of container mounted in tilting frame. Discharging container is being blocked through pressure of blocking beam.

Mining containers discharge device UWK-GIBBON can be applied in underground mining methane and non-methane excavations, considered as level "a", "b" and "c" area exposed to methane explosion hazard, as well as grade "A" and "B" of coal dust explosion hazard.

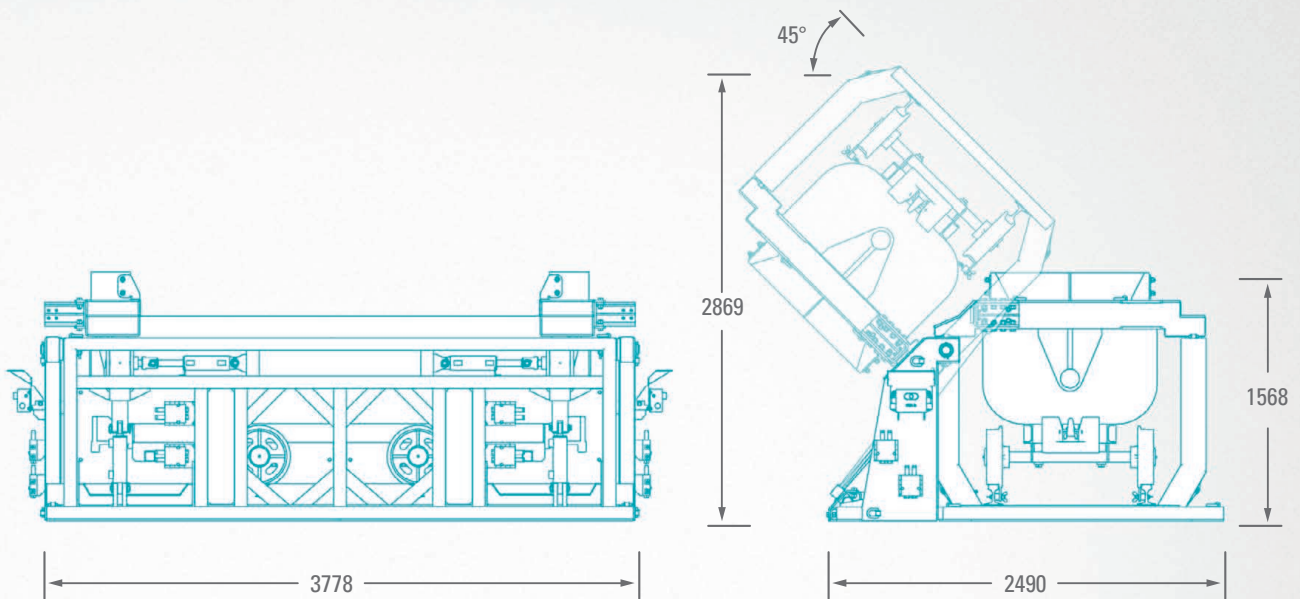
This device has been classified as Group I, category M2 due to its application in areas exposed to explosion hazard (according to directive 2014/34/UE).

## UWK-GIBBON

MINING CONTAINERS DISCHARGE DEVICE



### DIAGRAM



### TECHNICAL CHARACTERISTICS

LOAD [t]	4.5	MAX. EXCAVATION'S INCLINATION [°]	± 4
CONTAINER'S ROTATION ANGLE [°]	135	POWER SUPPLY	hydraulic oil
WEIGHT OF DEVICE [t]	3.5	SUPPLY PRESSURE [MPa]	20