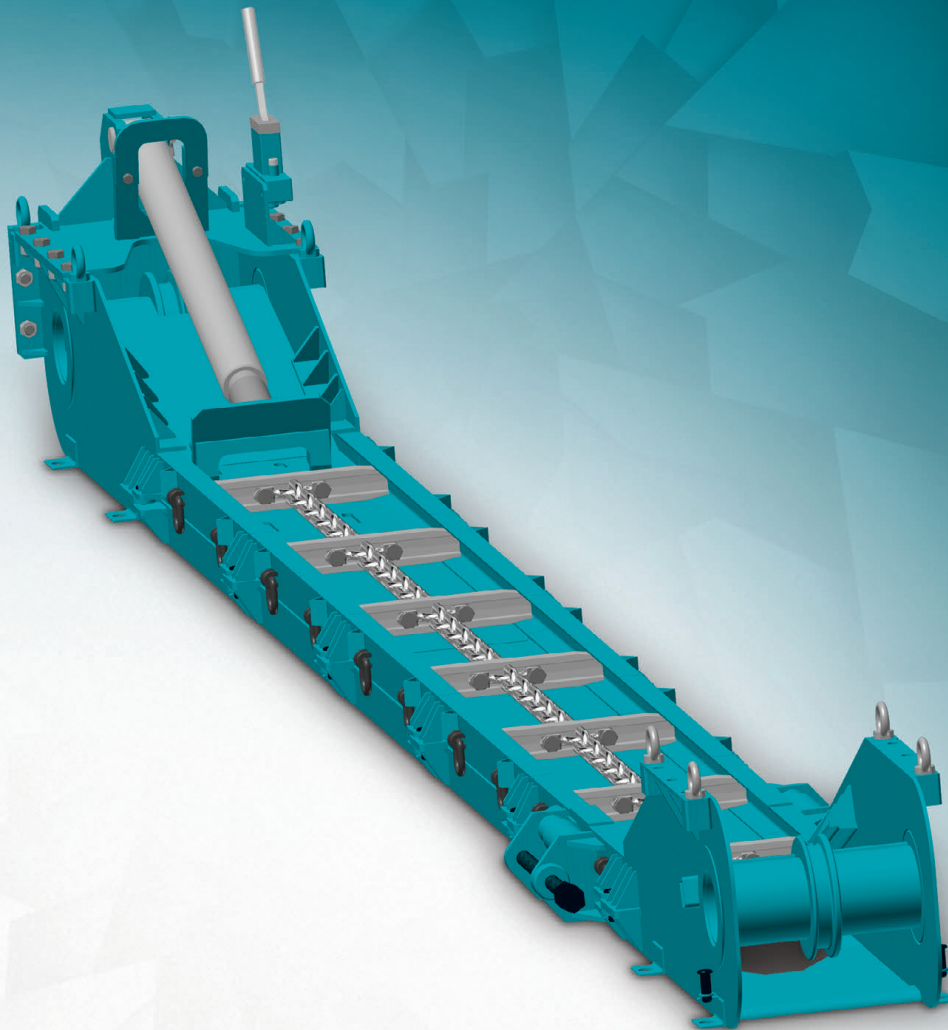




LPP  
**CAYMAN**  
AUXILIARY HAULAGE DEVICE



Auxiliary haulage device LPP-CAYMAN is designed to facilitate the low capacity and short time period works related to transportation of mined material.

Device can support mined material transport from heading or longwall face, any rock/coal excavation mined mechanically or manually. This device is equipped with double chain strand and scrapers driven by hydraulic actuator.

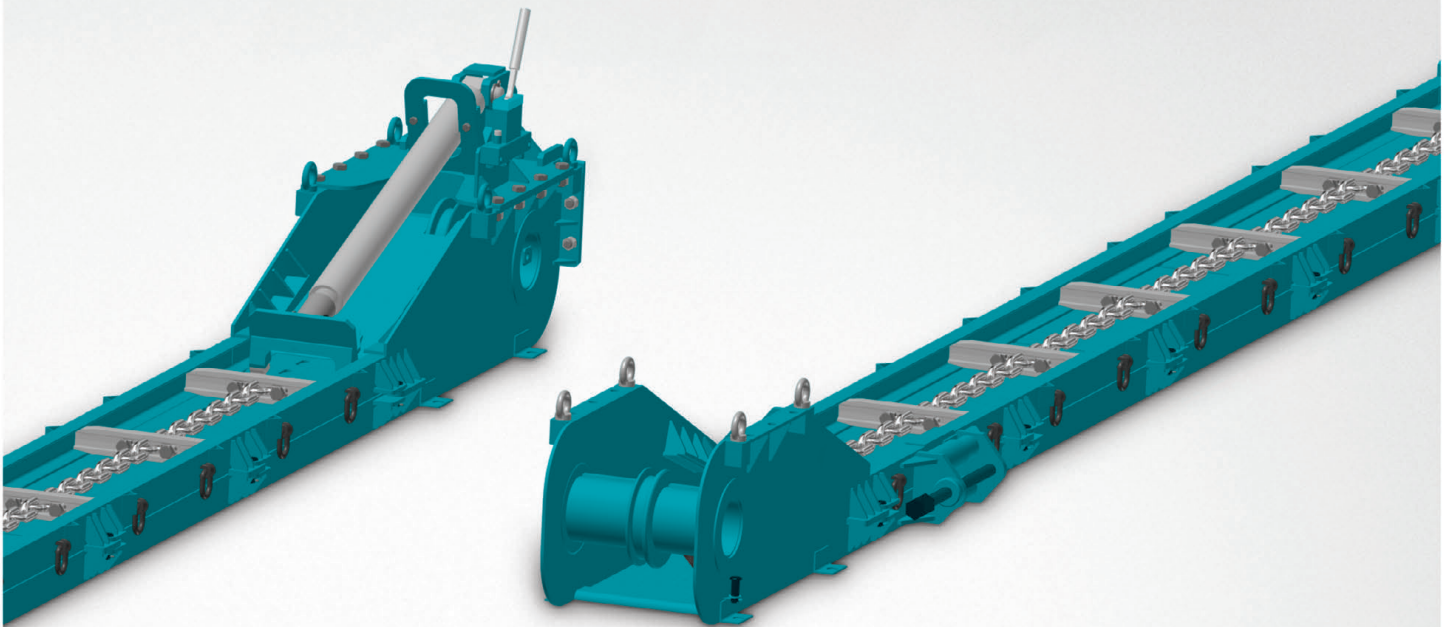
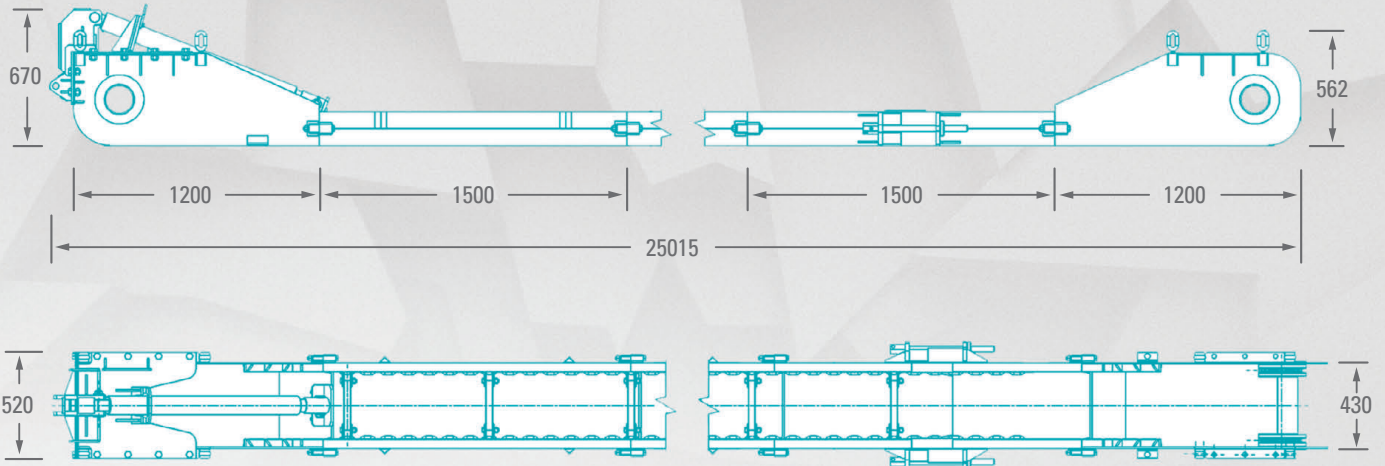
Auxiliary haulage device LPP-CAYMAN can be applied in underground mining methane and non-methane excavations, considered as level "a", "b" and "c" area exposed to methane explosion hazard, as well as grade "A" and "B" of coal dust explosion hazard.

This device has been classified as Group I, category M2 due to its application in areas exposed to explosion hazard (according to directive 2014/34/UE).

## LPP-CAYMAN

AUXILIARY HAULAGE DEVICE

### DIAGRAM



### TECHNICAL CHARACTERISTICS

TYPE OF DRIVE	hydraulic	PAN LINE WIDTH [mm]	430
CHAIN SIZE	14 x 50	LONGITUDINAL PAN LINE INCLINATION [°]	± 15
CHAIN CENTERS [mm]	342	INCLINATION ABILITY OF JOINED SEGMENTS [°]	± 2 in horizontal direction ± 3 in vertical direction
DISTANCE BETWEEN SCRAPERS	depending of hydraulic actuator's advance	HYDRAULIC ACTUATOR	∅ 75 / ∅ 63 x 900
MAX. LENGTH OF THE DEVICE [m]	30	SUPPLY PRESSURE [MPa]	min. 5 – max. 30