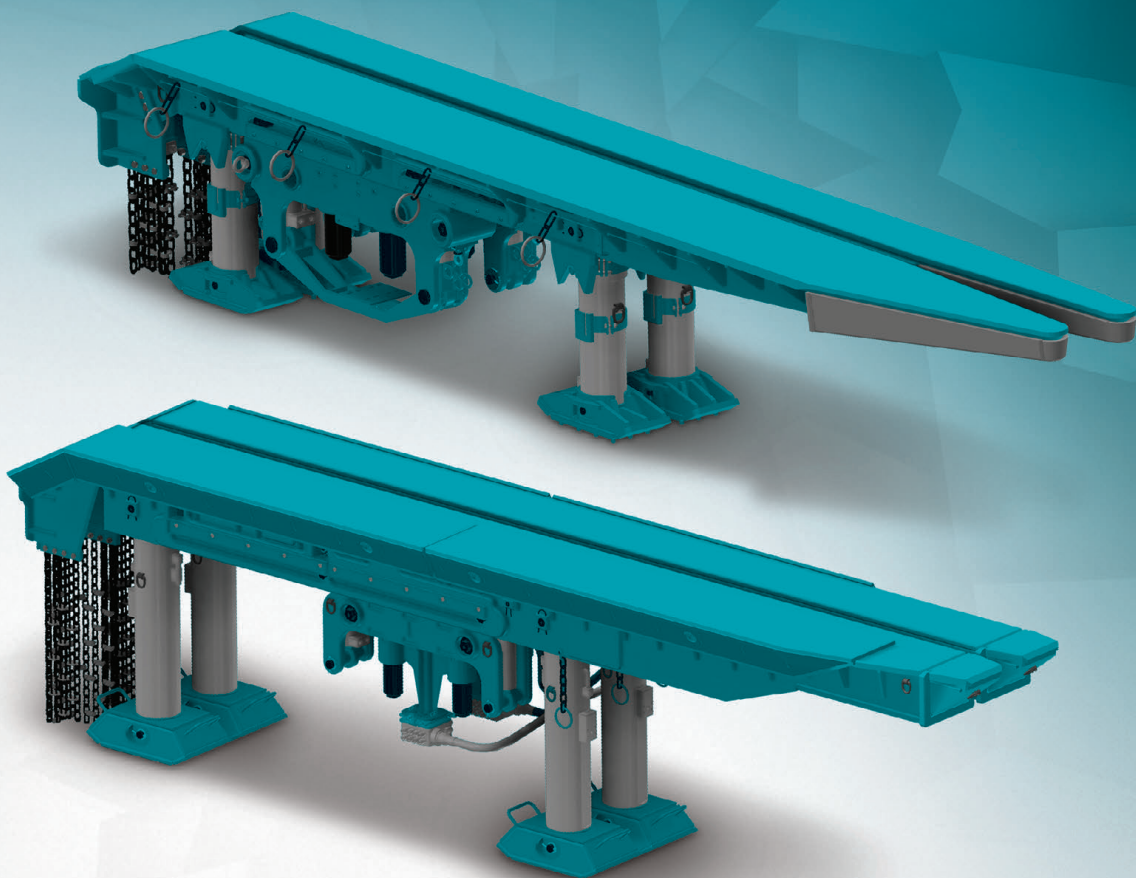




USP

PEGASUS • PEGASUS II

PROP AND SUPPORT DEVICE



Prop and support devices PEGASUS and PEGASUS II are applied in order to assure proper support of roof in the area of crossing between longwall face and adjacent roadway. This is special type of support designed to build over the niche between last roof support and adjacent roadway.

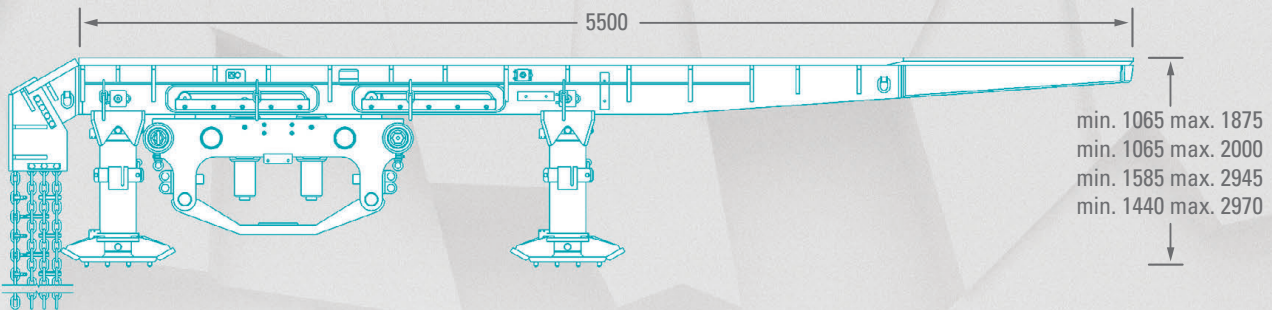
Devices PEGASUS and PEGASUS II can be manufactured as right or left option, depending on its place of installation underground (symmetrical execution).

Prop and support devices PEGASUS and PEGASUS II can be applied in underground mining methane and non-methane excavations, considered as level "a", "b" and "c" area exposed to danger of methane explosion, as well as grade "A" and "B" danger of coal dust explosion. Given devices has been classified as Group I, category M2 due to its application in areas exposed to danger of explosion (according to directive 2014/34/UE).

DIAGRAM

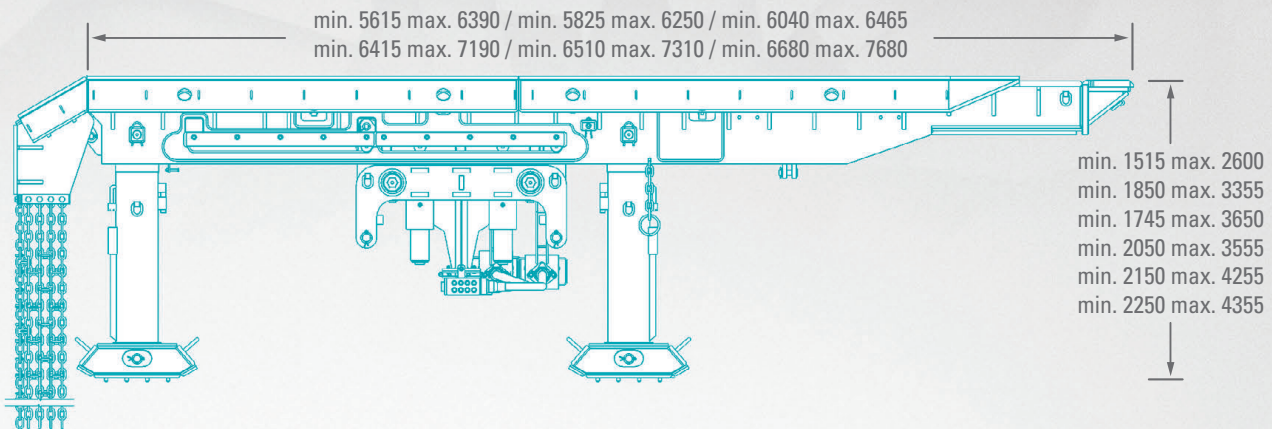
USP-PEGASUS

PROP AND SUPPORT DEVICE



USP-PEGASUS II

PROP AND SUPPORT DEVICE



TECHNICAL CHARACTERISTICS

	PEGASUS	PEGASUS II
RANGE OF WORK [m]	1.2 – 1.8 or 1.5 – 2.9	1.8 – 3.2; 1.9 – 3.3 2.1 – 3.5; 2.3 – 4.3
WIDTH OF SUPPORTED SURFACE [mm]	860	1080 – 1710
LENGTH OF SUPPORTED SURFACE [mm]	5500	5615 – 7680
HEIGHT OF SUPPORT [mm]	1065 – 2970	1515 – 4355
DEVICE'S ADVANCE (EQUAL TO SHEARER'S CUTTING DRUM WEB) [mm]	600	800 or 1000
NUMBER OF PROPS	4	
TYPE OF PROP	double telescopic 170/160/135/115	double telescopic 210/200/160/140
TOTAL WORKING STRENGTH OF PROPS [kN]	1862	2840
WORKING COMPRESSIVE STRENGTH [MPa]	0.39	0.29 – 0.39
INITIAL COMPRESSIVE STRENGTH [MPa]	0.21	0.17 – 0.23
HYDRAULIC SYSTEM	Remotely controlled	
SUPPLY PRESSURE [MPa]	30	
LONGITUDINAL AND TRANSVERSE INCLINATION OF EXCAVATION [°]	± 20	