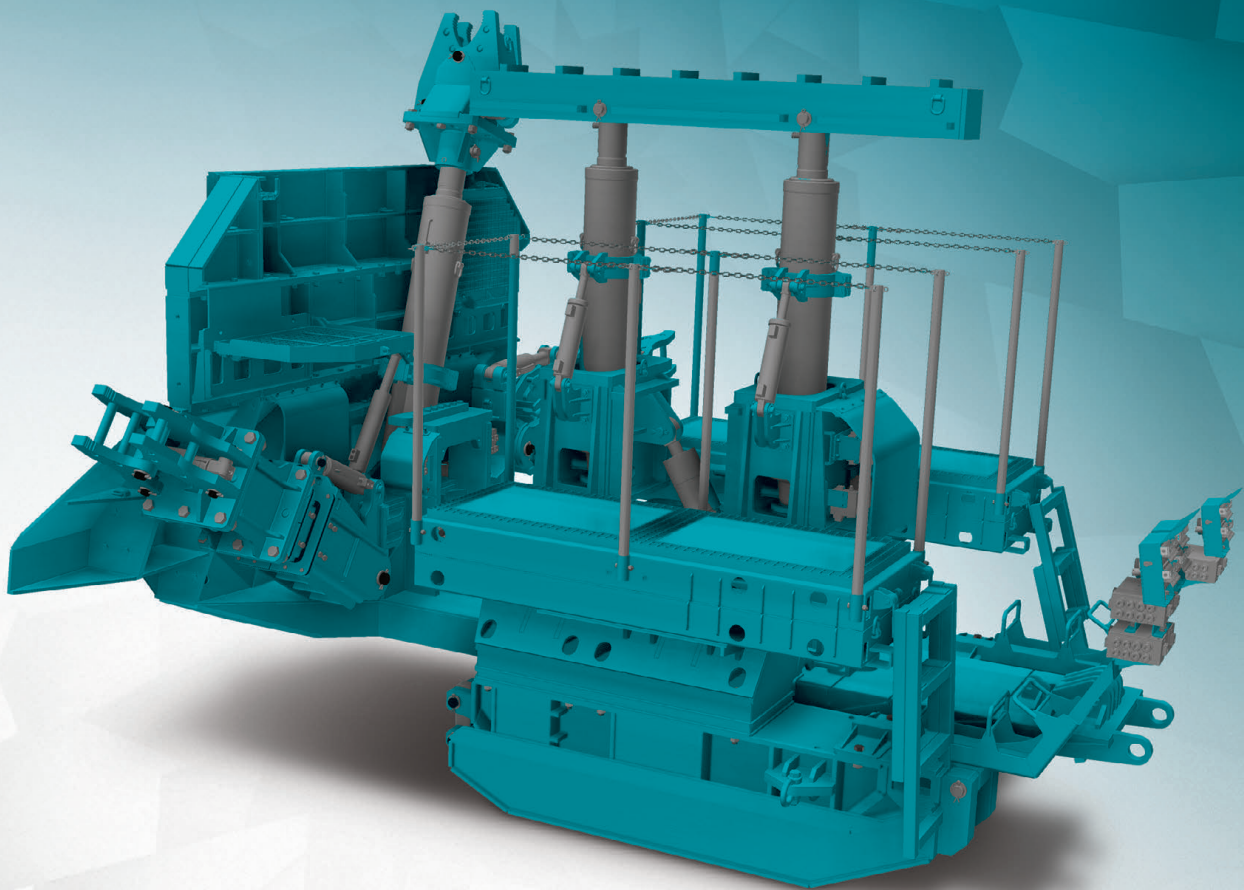




UDR
MAMMOTH
MINING EXCAVATION'S REMOVAL DEVICE

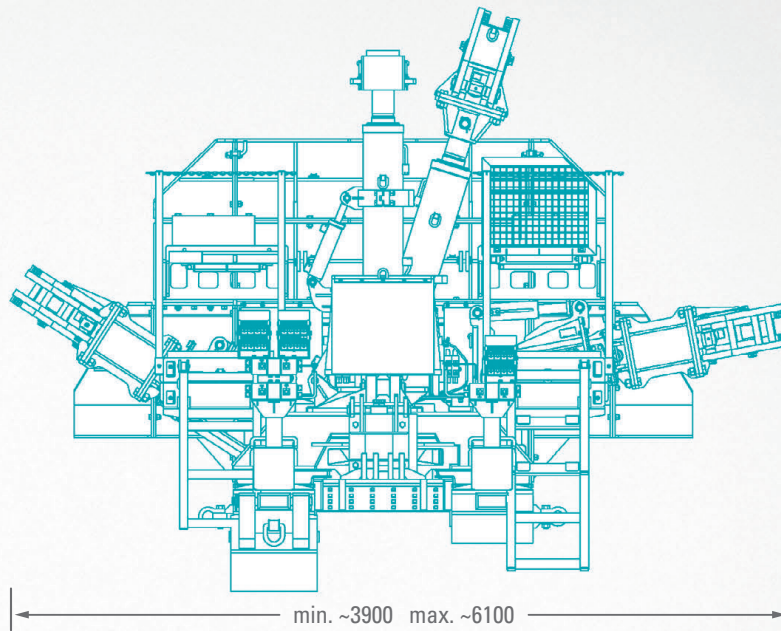
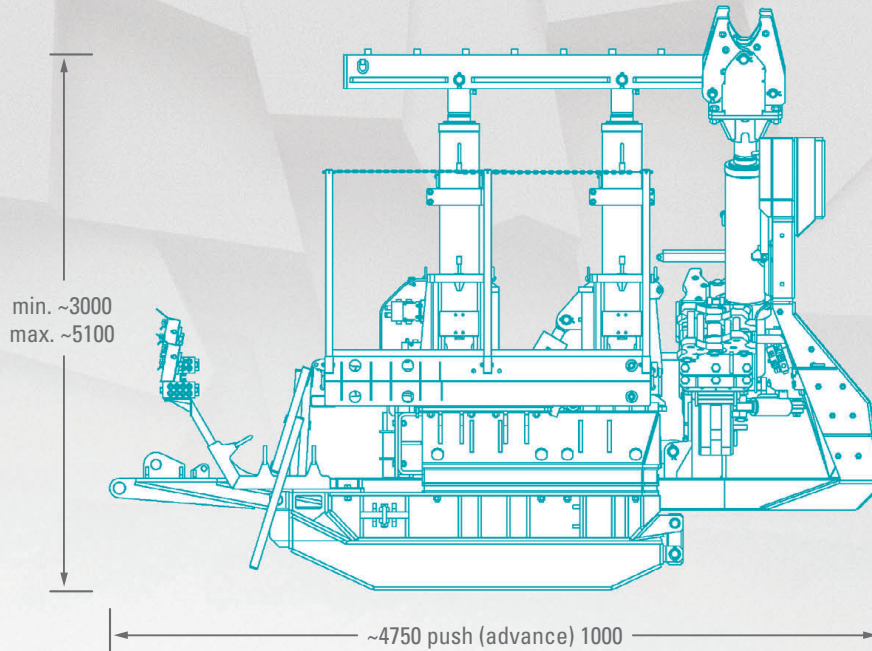


Mining excavation's removal device UDR-MAMMOTH is designed to carry out works related to removal (disassembly) of steel arch supports in underground mining excavations. The device allows to prop the steel arch support, untighten the fasteners and to safely removal (disassembly) the supports' elements, without necessity of keeping the employees in hazard area. Construction of the device allows its shifting through installed actuators. Device can be equipped with working platforms allowing to perform elevated area works (e.g. for untightening locks).

UDR-MAMMOTH

MINING EXCAVATION'S REMOVAL DEVICE

DIAGRAM



TECHNICAL CHARACTERISTICS

WORKING RANGE		REMOVING PROPS [pcs.]	1
HEIGHT [mm]	3000 – 5100	SUPPORTING PROPS [pcs.]	2
WIDTH [mm]	3900 – 6100	POWER SUPPLY MEDIUM	fire-resistant hydraulic fluids cat. HFA
DEVICE'S PUSH (ADVANCE) [mm]	1000	MAX. SUPPLY PRESSURE [MPa]	32